



Thermostatic Water Controller Model 801 High-Low Water Mixer Unit No. 86506



Certified to
CSA B125.3

ASSE ASSE 1017 Approved

Master water mixing valve shall be of the thermostatic type with liquid-filled thermal motor. It shall have bronze body construction with replaceable corrosion-resistant components. Valve construction shall employ a sliding piston control mechanism. Sliding piston and liner shall be of stainless steel material. Valve shall come equipped with union end stop and check inlets with removable stainless steel strainers. Valve shall control temperature from a low flow of 1 GPM* up to a maximum flow rate for a given pressure differential. Valve shall provide protection against hot or cold supply line failure and thermostat failure.

Unit to include a dial thermometer, shut-off valve and union on tempered water outlet. Unit is completely assembled and tested with necessary fittings, nipples and escutcheons. Cabinet is shipped separately. See below for cabinet specifications.

General Purpose – Cabinet Specifications:

	STAINLESS	CARBON STEEL
Body:	18 Ga.	16 Ga.
Door:	18 Ga.	16 Ga.
Material:	Type 304 with No. 4 Finish	Baked enamel painted

VALVE FINISH

- Rough Bronze
- Chrome
- Other

TYPE OF CABINET

- Recessed
- Semi-Recessed
- Surface

MATERIAL

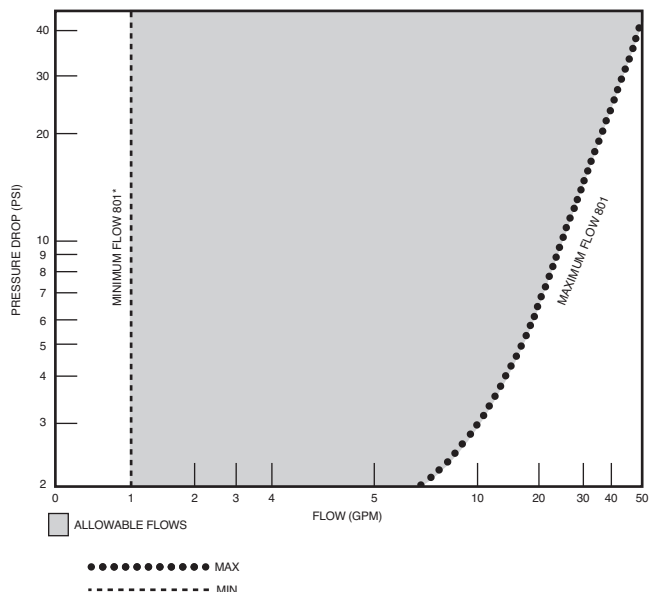
- Stainless
- Carbon Steel
- Carbon Steel Box/
Stainless Door

Cabinet includes lock with two keys.
Hinged left side, piano type.
For specifications on security cabinets, contact factory.

CAPACITIES – MODEL 801

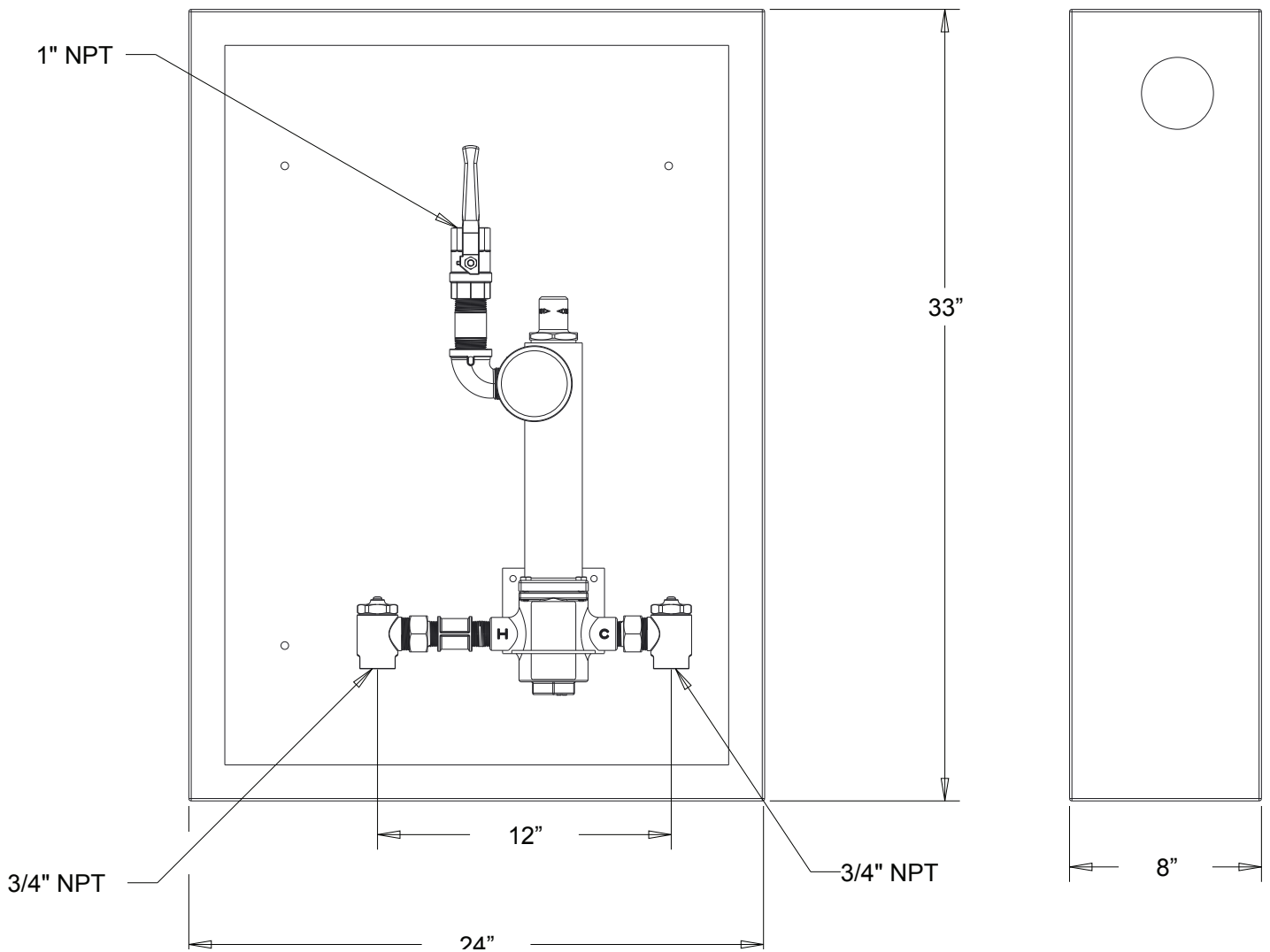
Pressure Drop PSI	5	10	20	30	45	60	80
Valve Number	Capacity						
801-GPM	17	25	34	40	50	57	65
801-LPM	64	94	128	151	189	210	246

*1/2 gpm when properly installed in recirculated system.



LAWLER
MANUFACTURING CO., INC.
5330 East 25th Street
Indianapolis, Indiana 46218
Phone (317) 261-1212
Fax (317) 261-1208

Design and specification subject to change without notice.
Please refer to www.temperedwater.com to ensure most current data sheet and other design solutions



MANUFACTURING CO., INC.

5330 East 25th Street
Indianapolis, Indiana 46218
Phone (317) 261-1212
Fax (317) 261-1208

Design and specification subject to change without notice.
Please refer to www.temperedwater.com to ensure
most current data sheet and other design solutions