



ENG. NO. 86204-A
temperedwater.com/patents

Thermostatic Water Controller Model 803 High-Low Water Mixer Unit No. 86204



Certified to
CSA B125.3

ASSE 1017 Approved

Master water mixing valve shall be of the thermostatic type with liquid-filled thermal motor. It shall have bronze body construction with replaceable corrosion-resistant components. Valve construction shall employ a sliding piston control mechanism. Sliding piston and liner shall be of stainless steel material. Valve shall come equipped with union end stop and check inlets with removable stainless steel strainers. Valve shall control temperature from a low flow of 3 GPM* up to a maximum flow rate for a given pressure differential. Valve shall provide protection against hot or cold supply line failure and thermostat failure.

Unit to include a shut-off valve and dial thermometer on tempered water outlet. Also included is a valved cold water bypass line from the cold water supply line. All piping passes through the top of cabinet.

Unit is completely assembled and tested with necessary fittings, nipples and escutcheons. See below for cabinet specifications. Cabinet is shipped separately.

General Purpose – Cabinet Specifications:

	STAINLESS	CARBON STEEL
Body:	18 Ga.	16 Ga.
Door:	18 Ga.	16 Ga.
Material:	Type 304 with No. 4 Finish	Baked enamel

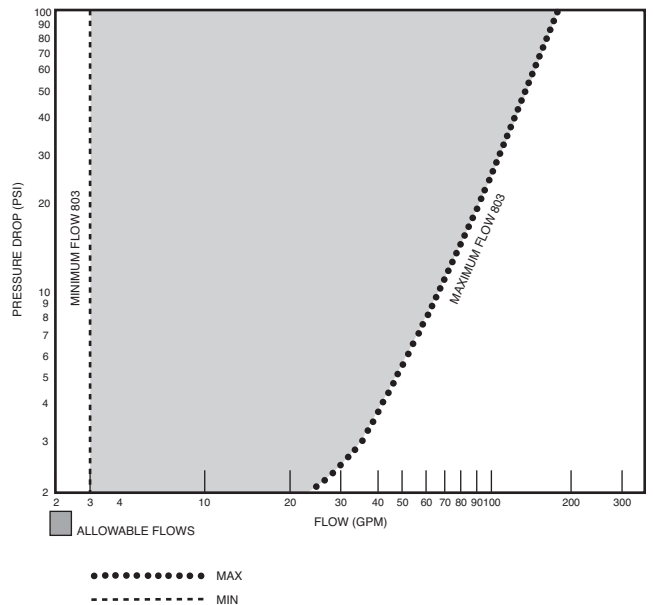
VALVE FINISH

- Rough Bronze Other
 Chrome

TYPE OF CABINET

- Recessed **MATERIAL**
 Semi-Recessed Stainless
 Surface Carbon Steel
 Carbon Steel Box/
 Stainless Door

Cabinet includes lock with two keys.
 Hinged left side, piano type.
 For specifications on security cabinets, contact factory.



CAPACITIES – MODEL 803

Pressure Drop PSI	5	10	20	30	45	60	80
Valve Number	Capacity						
803-GPM	43	60	85	103	125	144	165
803-LPM	163	227	322	390	473	545	624

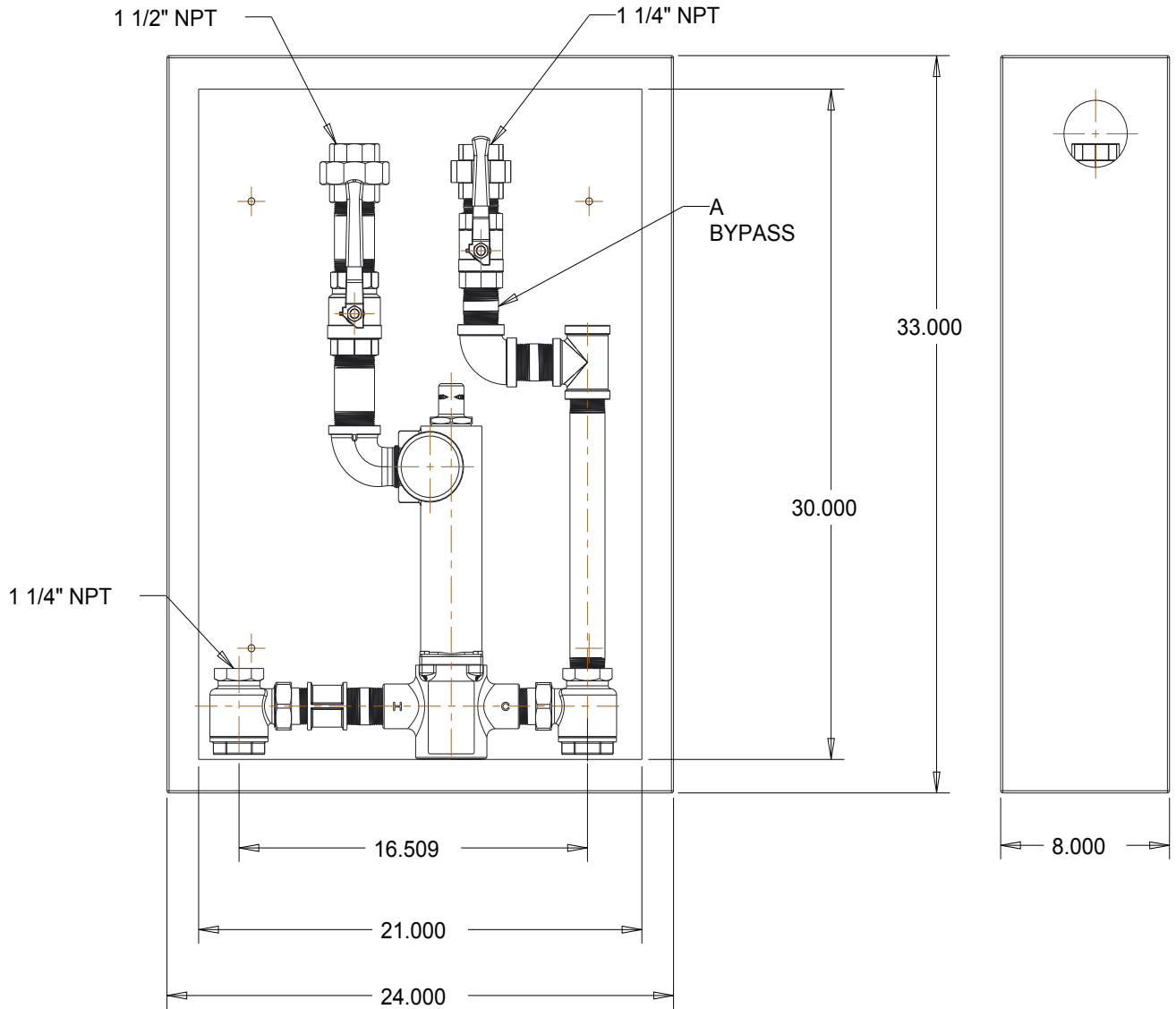
*1/2 gpm when properly installed in recirculated system.



MANUFACTURING CO., INC.

5330 East 25th Street
 Indianapolis, Indiana 46218
 Phone (317) 261-1212
 Fax (317) 261-1208

Design and specification subject to change without notice.
 Please refer to www.temperedwater.com to ensure
 most current data sheet and other design solutions



MANUFACTURING CO., INC.

5330 East 25th Street
Indianapolis, Indiana 46218
Phone (317) 261-1212
Fax (317) 261-1208

Design and specification subject to change without notice.
Please refer to www.temperedwater.com to ensure
most current data sheet and other design solutions