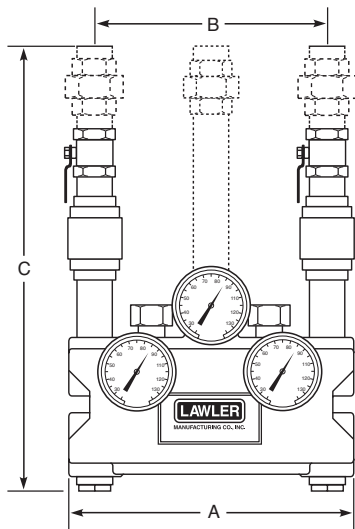


# Thermostatic Mixing Valve Model 911® Emergency Showers Unit No. 84708



Inlet & Outlet 1/4" N.P.T.  
Allow for 5" Depth

 **ASSE 1071 Approved**

The Emergency Shower Mixing Valve shall employ two fully independent control mechanisms which split the flow in half, blend each half to the design temperature and then integrate each stream at the outlet. The valve shall control outlet temperature over a wide range of flow and shall be suitable for deluge shower or eyewash applications in order to comply with ANSI standard Z358.1. The valve shall include three thermometers to measure the temperature of each stream and the merged flow. Temperature adjustment shall be vandal-resistant. Each independent control mechanism shall employ a liquid-filled thermostatic motor to drive the valve without additional power requirements. Each control mechanism shall employ a stainless steel sliding piston control device with reverse seat closure and both fixed and variable cold water bypass.

In the event of interruption of the cold water supply, each control mechanism closes off the hot water port, stopping all flow. Positive hot water shut-off.

In the event of interruption of the hot water supply, each control mechanism shall allow cold flow through both the fixed and variable bypass.

In the event that one liquid motor fails, the control mechanism closes off the hot water port with the reverse seat and fully opens the internal variable bypass to allow cold water flow. The other control mechanism will be unaffected by the failure and will maintain design temperature.

**Maximum Inlet Pressure:** 125 PSI.

**Recommended Supply Pressure:** 65 PSI.

**Recommended Inlet Temperature:** 120°F.\*

**VALVE FINISH**

Rough Bronze  Chrome Plate

**TEMP. RANGE** 70° to 90°F **SET POINT** 85°F

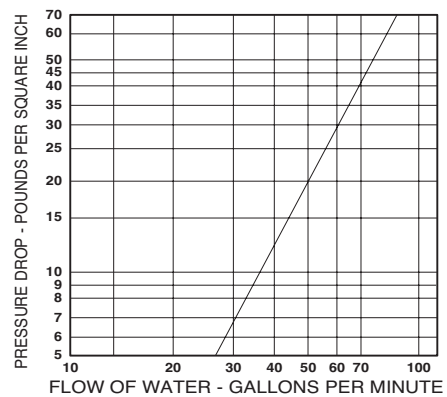
Lock set  Mounting Bracket

Lock set includes lockable cover plate and keyed padlock to prevent unauthorized temperature adjustment.

**DIMENSIONS:**

Valve Number	A	B	C
911	11"	9"	16"

**CAPACITY OF TYPE 911 THERMOSTATIC MIXING VALVE FOR EMERGENCY SHOWERS**



**CAPACITIES - MODEL 911**

Pressure Drop PSI	5	10	20	30	45
Tempered Flow GPM	25	35	50	60	72
Tempered Flow LPM	74	132	189	227	273

**BYPASS CAPACITIES - MODEL 911**

Pressure Drop PSI	5	10	20	30	45
Cold Bypass GPM	14	20	28	40	45
Cold Bypass LPM	53	75	106	151	170

Unit includes 0-200°F dial thermometers, inlet check valves, and lockable ball valves on inlets.

**Note:** Hot and cold water inlet pressures must be equal. Provisions shall be made to thermally isolate the valve.

\*When supplying 140°F or greater, additional outlet controls should be used.



5330 East 25th Street  
Indianapolis, Indiana 46218  
Phone (317) 261-1212  
Fax (317) 261-1208

Helps meet  
ANSI standard  
Z358.1

Design and specification subject to change without notice.