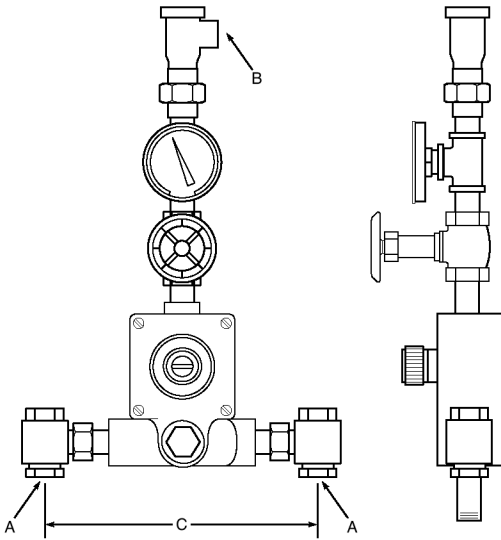


Series 67 Combination Thermostatic and Pressure Balanced Water Controller

Unit No. 84510

ASSE Lead Free
Certified



Exposed valve shall be a combination thermostatic and pressure-balanced mixing valve, with a liquid-filled motor. In the event of interruption of hot or cold water supply or thermostat failure, the valve shall be designed to restrict flow by use of a sliding piston control mechanism with a reverse seat closure. The valve shall maintain output temperature for changes in inlet pressure and temperature. Valve construction shall have bronze body and stainless steel piston and liner. Mixing valve shall include a union end stop and check valve with removable strainer on each inlet.

Includes dial thermometer, shut-off valve, and vacuum breaker on tempered water outlet.

Unit is completely assembled as shown.

FINISH: Bronze Valve 1/2"
 Chrome 3/4"
 Other

In Cabinet Without Cabinet

If in cabinet, specify:

Stainless Steel Recessed
 Carbon Steel Semi-Recessed
 Surface

NOTE: All cabinets include lock with 2 keys.
 For specifications on security cabinets, contact factory.

DIMENSIONS:

Valve No.	A N.P.T.	B N.P.T.	C
67-10	1/2"	1/2"	8"
67-25	3/4"	3/4"	8 3/8"

CAPACITIES - SERIES 67

Pressure Drop PSI	5	10	20	30	45	60	80
Valve Number	Capacity-GPM						
67-10	2.5	3.5	5.5	8.0	10	12	14
67-25	6.0	10	14	18	25	30	34

CAPACITIES - SERIES 67

Pressure Drop PSI	5	10	20	30	45	60	80
Valve Number	Capacity-LPM						
67-10	9.4	13.2	20.8	30.3	37.8	45.4	53
67-25	22.7	37.8	53	68	94.6	113	128

CABINET SPECIFICATIONS:

	Stainless	Carbon Steel
Body:	18 Ga.	16 Ga.
Door:	18 Ga.	16 Ga.
Material:	Type 304 with No. 4 Finish	Baked enamel painted
Hinge:	Left side, piano type	

Valve assemblies specified with cabinet are assembled with necessary fittings, nipples and escutcheons. Cabinet is shipped separately.

See cabinet data sheet ENG. NO. 8221



MANUFACTURING CO., INC.

5330 East 25th Street
 Indianapolis, Indiana 46218
 Phone (317) 261-1212
 Fax (317) 261-1208

Design and specification subject to change without notice.