



# Thermostatic Water Controller Model 802 High-Low Water Mixer

Unit No. 73000



Master water mixing valve shall be of the thermostatic type with liquid-filled thermal motor. It shall have bronze body construction with replaceable corrosion-resistant components. Valve construction shall employ a sliding piston control mechanism. Sliding piston and liner shall be of stainless steel material. Valve shall come equipped with union end stop and check inlets with removable stainless steel strainers. Valve shall control temperature from a low flow of 2 GPM\* up to a maximum flow rate for a given pressure differential. Valve shall provide protection against hot or cold supply line failure and thermostat failure.

**FINISH:**      Bronze        
                   Chrome        
                   Other       

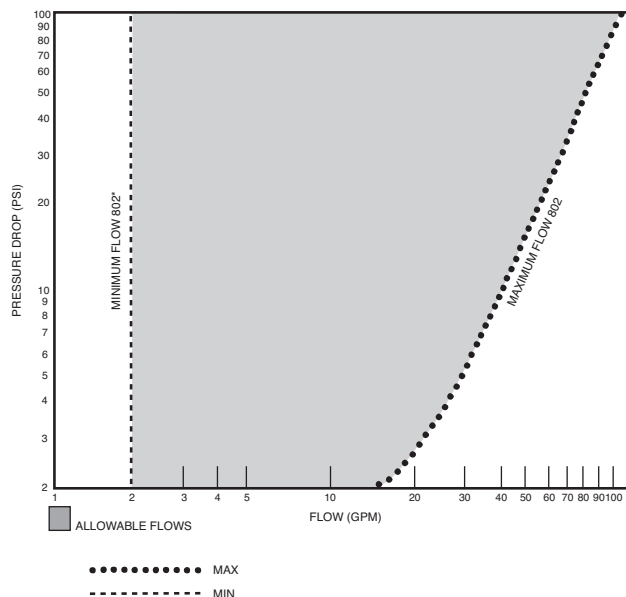
**TEMP. RANGE**      **SET POINT**

70° to 100°F      80°F        
 90° to 120°F      110°F        
 110° to 140°F      130°F     

Special \_\_\_\_\_

**Optional Test Connection**        
 Including garden hose connection, shut-off and thermometer.

                  Bronze        
                   Chrome     



**CAPACITIES - MODEL 802**

Pressure Drop PSI	5	10	20	30	45	60	80
<b>Valve Number</b>	<b>Capacity</b>						
<b>802-GPM</b>	28	39	54	66	80	91	103
<b>802-LPM</b>	106	148	208	247	303	341	388

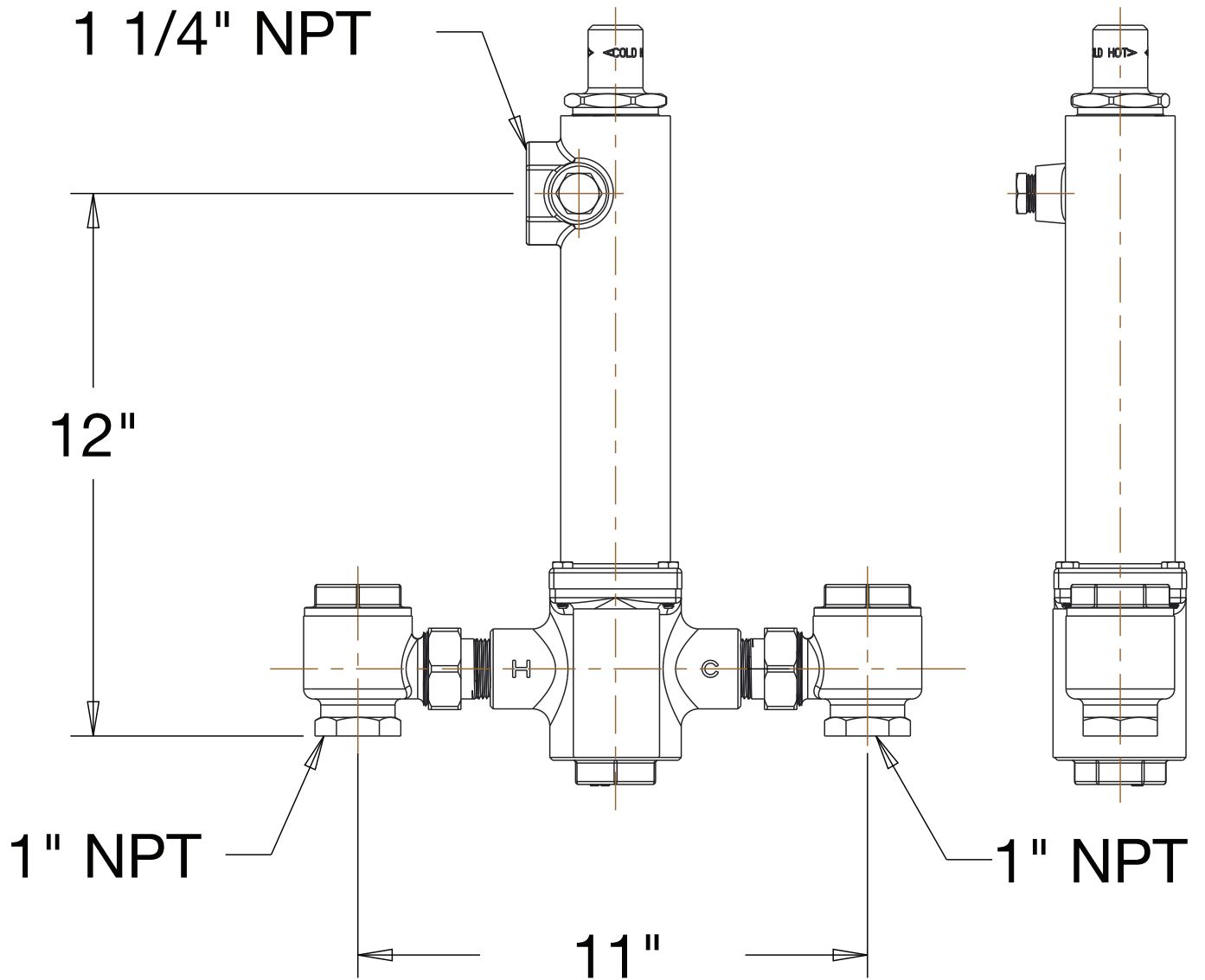
\*1/2 gpm when properly installed in recirculated system.



**MANUFACTURING CO., INC.**

5330 East 25th Street  
 Indianapolis, Indiana 46218  
 Phone (317) 261-1212  
 Fax (317) 261-1208

Design and specification subject to change without notice.  
 Please refer to [www.temperedwater.com](http://www.temperedwater.com) to ensure most current data sheet and other design solutions



**LAWLER**  
MANUFACTURING CO., INC.  
5330 East 25th Street  
Indianapolis, Indiana 46218  
Phone (317) 261-1212  
Fax (317) 261-1208

Design and specification subject to change without notice.  
Please refer to [www.temperedwater.com](http://www.temperedwater.com) to ensure  
most current data sheet and other design solutions