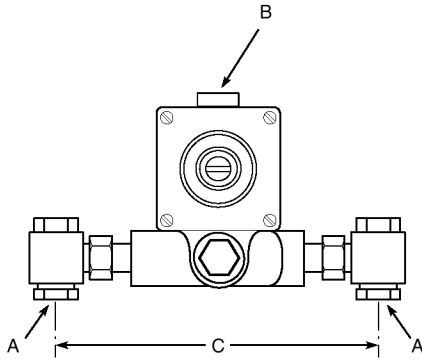


ENG. NO#72956-C
 ENG. NO#72957-C
 PAT. NO. 5,011,074.



Series 67 Combination Thermostatic and Pressure Balanced Water Controller

Unit No. 72956 (1/2")

Unit No. 72957 (3/4")

ASSE Lead Free Certified



Exposed valve shall be a combination thermostatic and pressure-balanced mixing valve, with a liquid-filled motor. In the event of interruption of hot or cold water supply or thermostat failure, the valve shall be designed to restrict flow by use of a sliding piston control mechanism with a reverse seat closure. The valve shall maintain output temperature for changes in inlet pressure and temperature. Valve construction shall have bronze body and stainless steel piston and liner. Mixing valve shall include a union end stop and check valve with removable strainer on each inlet.

DIMENSIONS:

Valve No.	A N.P.T.	B N.P.T.	C
67-10	1/2"	1/2"	8"
67-25	3/4"	3/4"	8 3/8"

CAPACITIES - SERIES 67

Pressure Drop PSI	5	10	20	30	45	60	80
Valve Number	Capacity-GPM						
67-10	2.5	3.5	5.5	8.0	10	12	14
67-25	6.0	10	14	18	25	30	34

FINISH: Bronze Valve 1/2"
 Chrome 3/4"
 Other

TEMP. RANGE **SET POINT**

50° to 100° F 80° F
 85° to 135° F 110° F
 100° to 150° F 130° F
 Special _____

CAPACITIES - SERIES 67

Pressure Drop PSI	5	10	20	30	45	60	80
Valve Number	Capacity-LPM						
67-10	9.4	13.2	20.8	30.3	37.8	45.4	53
67-25	22.7	37.8	53	68	94.6	113	128



MANUFACTURING CO., INC.

5330 East 25th Street
 Indianapolis, Indiana 46218
 Phone (317) 261-1212
 Fax (317) 261-1208

Design and specification subject to change without notice.