



**MANUFACTURING CO., INC.**  
 5330 East 25th Street  
 Indianapolis, Indiana 46218  
 Phone (317) 261-1212  
 Fax (317) 261-1208

www.lawlervalve.com

**DATA SHEET**

Eng. # 3900-B



**ASSE 1016 Approved**

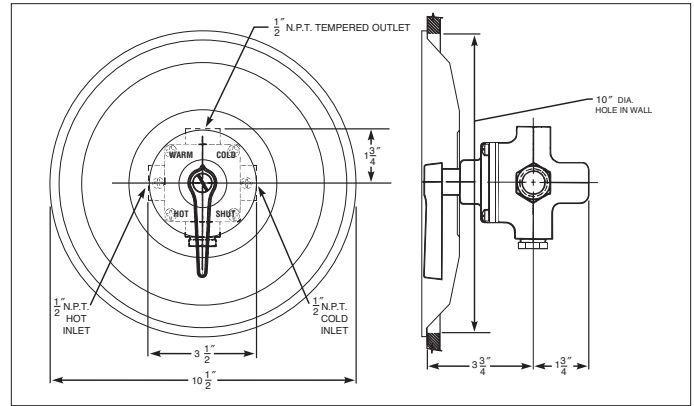
# Concealed Thermostatic Valve

Concealed thermostatically-controlled mixing valve with stainless steel trim and lever handle.

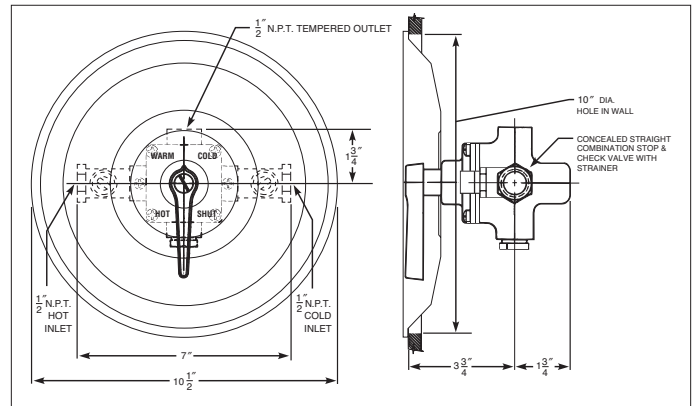
## Model # 3900

The Lawler concealed thermostatically-controlled mixing valve has a solid liquid-filled thermostat. The valve has bronze body construction with replaceable corrosion resistant components. The piston and liner are constructed of stainless steel material. The mixing valve has integral shut-off and is adjustable from cold to 115°F unless otherwise specified. The valve employs an adjustable temperature limit stop.

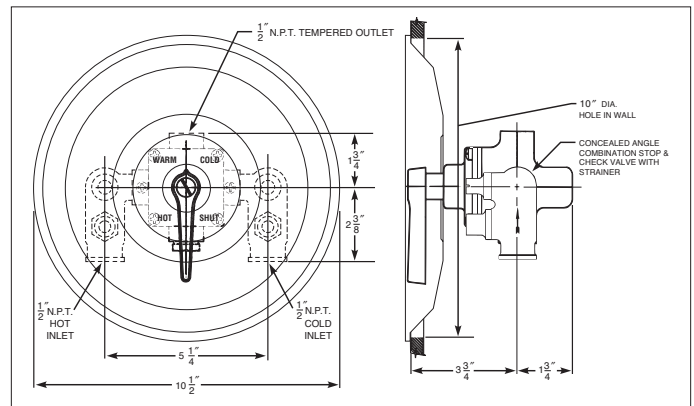
Assembly includes a round stainless steel escutcheon and a solid brass, polished chrome lever handle.



3900 less stop & check valves

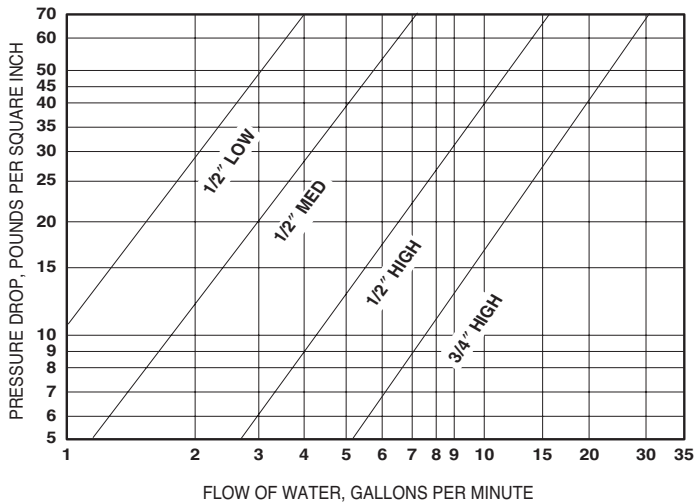


3900-SC1 with straight stop & check valves



3900-SC5 with strainer in angle stop & check valves

FLOW CAPACITIES SINGLE STAGE - SERIES 3000 3500 3800 & 3900



\* Standard valve is 1/2" medium flow

## OPTIONS

Suffix VR – Vandal resistant handle screw

Prefix H – High flow

Prefix M – Standard flow

Prefix L – Low flow

Design and specification subject to change without notice.

DATA3000x