



**MANUFACTURING CO., INC.**  
 5330 East 25th Street  
 Indianapolis, Indiana 46218  
 Phone (317) 261-1212  
 Fax (317) 261-1208

www.lawlervalve.com

**DATA SHEET**

Eng. # 3800-B



**ASSE 1016 Approved**

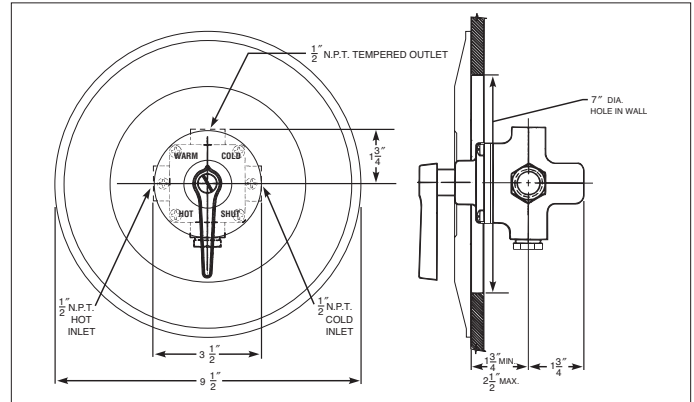
# Concealed Thermostatic Valve

Concealed thermostatically-controlled mixing valve with satin stainless steel trim and lever handle.

## Model # 3800

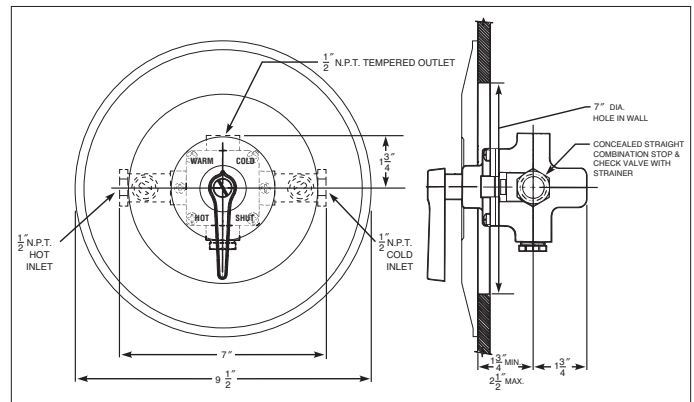
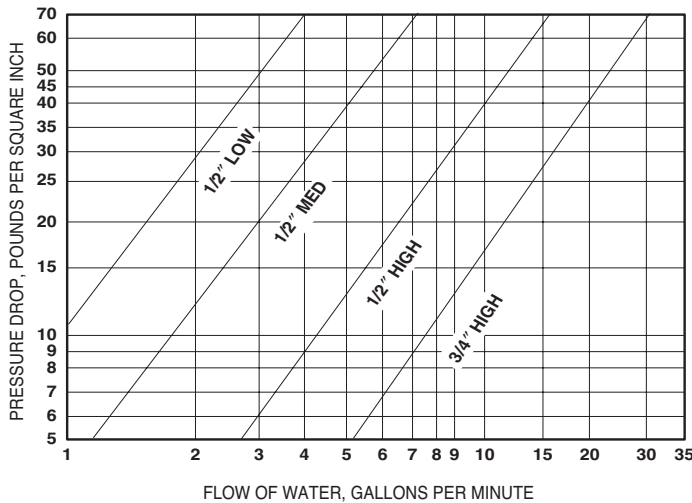
The Lawler concealed thermostatically-controlled mixing valve has a solid liquid-filled thermostat. The valve has bronze body construction with replaceable corrosion resistant components. The piston and liner are constructed of stainless steel material. The mixing valve has integral shut-off and is adjustable from cold to 115°F unless otherwise specified. The valve employs an adjustable temperature limit stop.

The wall trim has a satin stainless steel finish with a solid brass, polished chrome lever handle.



3800 less stop & check valves

FLOW CAPACITIES SINGLE STAGE - SERIES 3000 3500 3800 & 3900

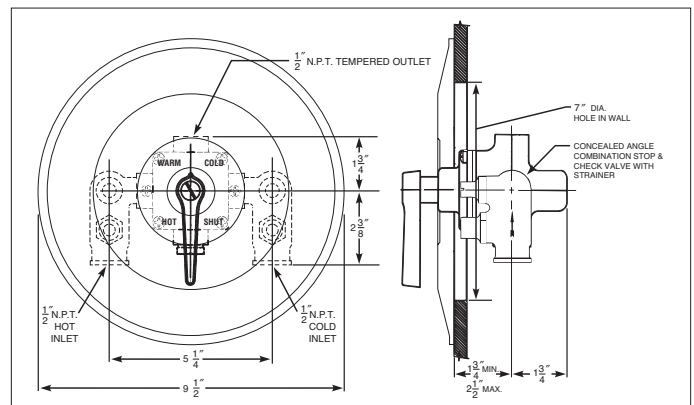


3800-SC1 with straight stop & check valves

\* Standard valve is 1/2" medium flow

## OPTIONS

- Suffix VR – Vandal resistant handle screw
- Prefix H – High flow
- Prefix M – Standard flow
- Prefix L – Low flow



3800-SC5 with strainer in angle stop & check valves

Design and specification subject to change without notice.

DATA3000x