



MANUFACTURING CO., INC.
 5330 East 25th Street
 Indianapolis, Indiana 46218
 Phone (317) 261-1212
 Fax (317) 261-1208

www.lawlervalve.com

DATA SHEET

Eng. # 3500-B



ASSE 1016 Approved

Concealed Thermostatic Valve

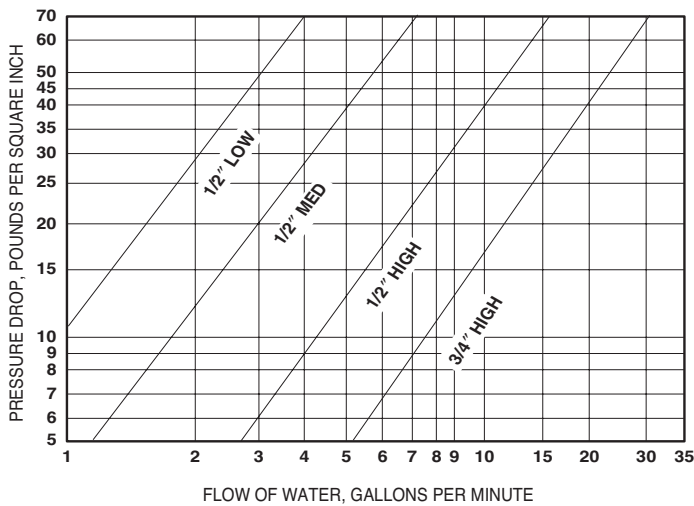
Concealed thermostatically-controlled mixing valve with satin chrome trim and lever handle.

Model # 3500

The Lawler concealed thermostatically-controlled mixing valve has a solid liquid-filled thermostat. The valve has bronze body construction with replaceable corrosion resistant components. The piston and liner are constructed of stainless steel material. The mixing valve has integral shut-off and is adjustable from cold to 115°F unless otherwise specified. The valve employs an adjustable temperature limit stop.

The wall trim faceplate and handle are of solid brass with a polished chrome finish.

FLOW CAPACITIES SINGLE STAGE - SERIES 3000 3500 3800 & 3900



* Standard valve is 1/2" medium flow

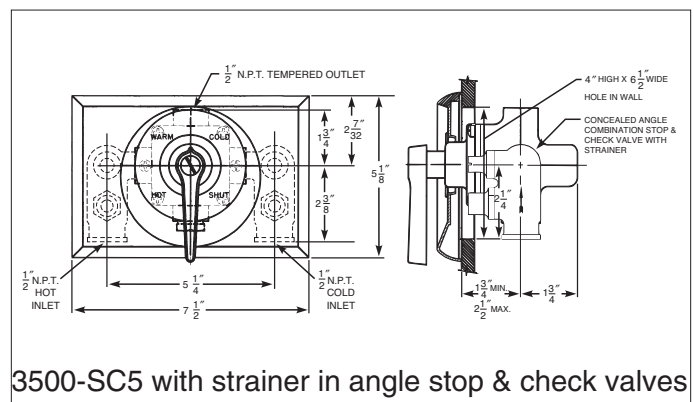
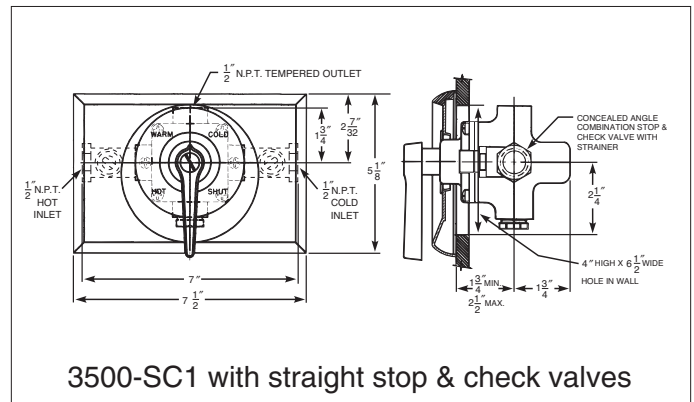
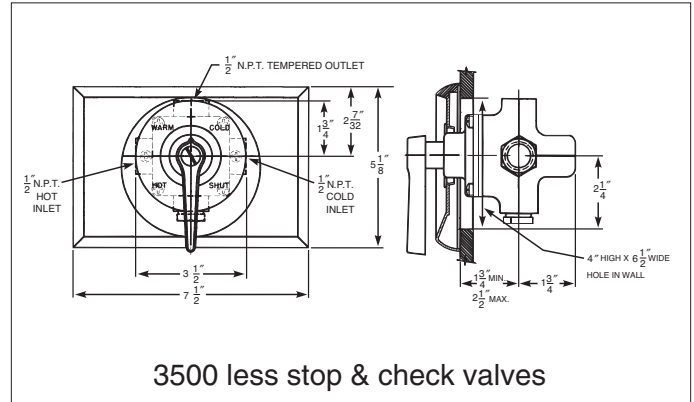
OPTIONS

Suffix VR – Vandal resistant handle screw

Prefix H – High flow

Prefix M – Standard flow

Prefix L – Low flow



Design and specification subject to change without notice.

DATA3000x